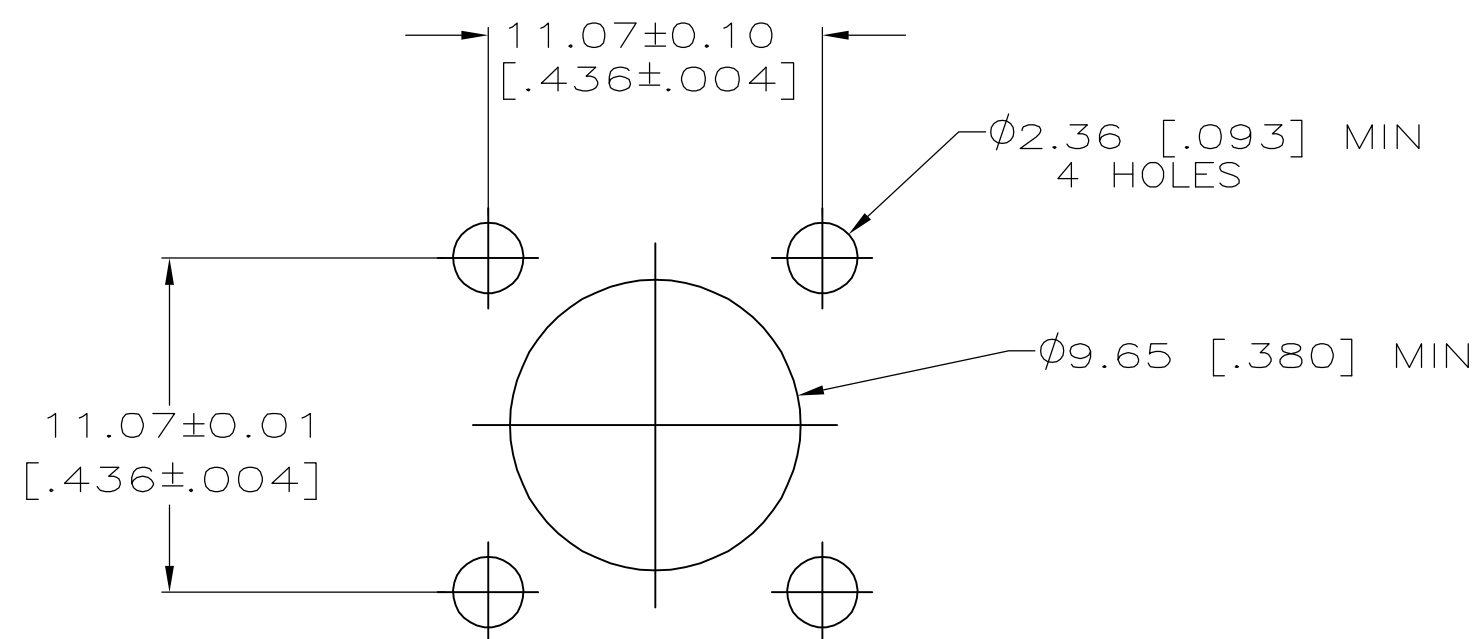
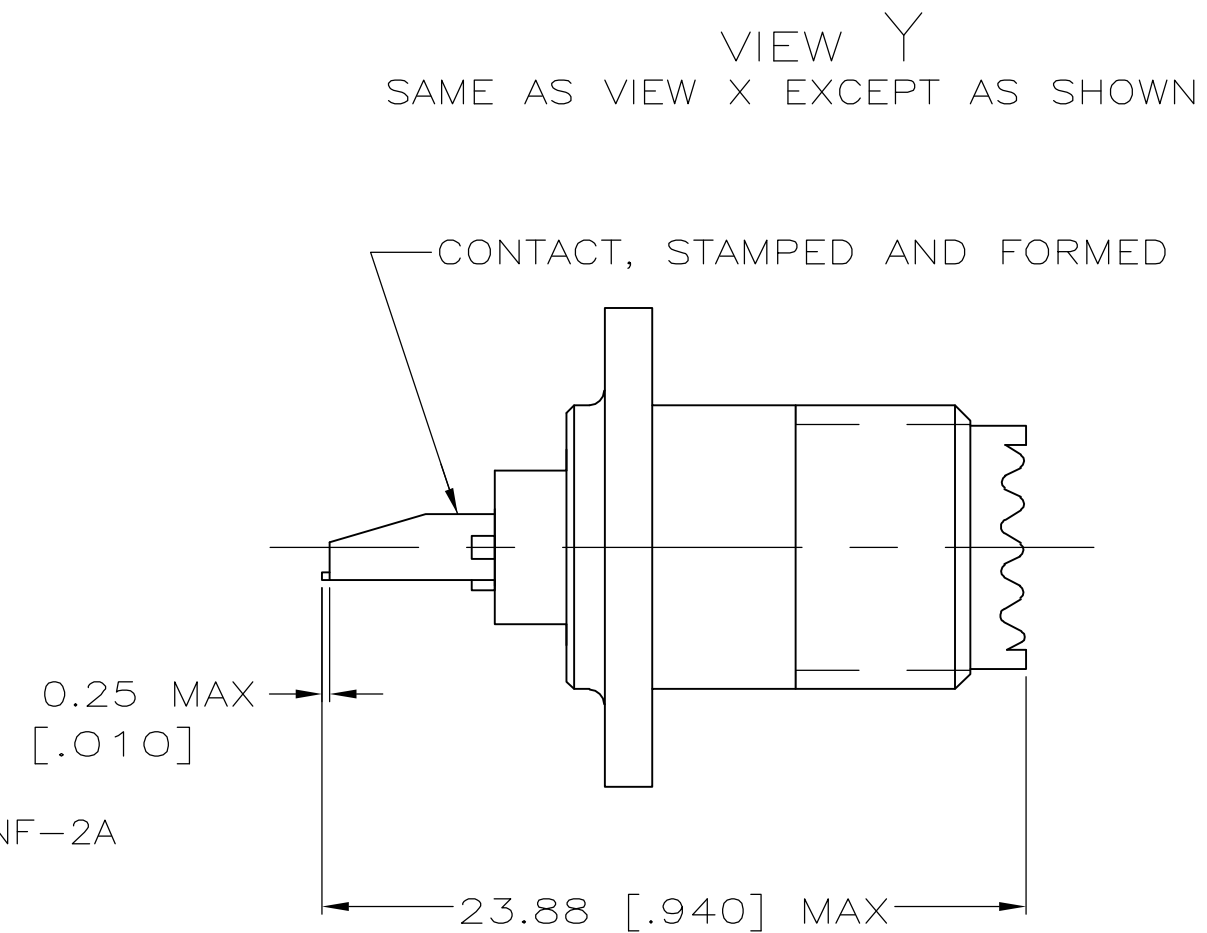
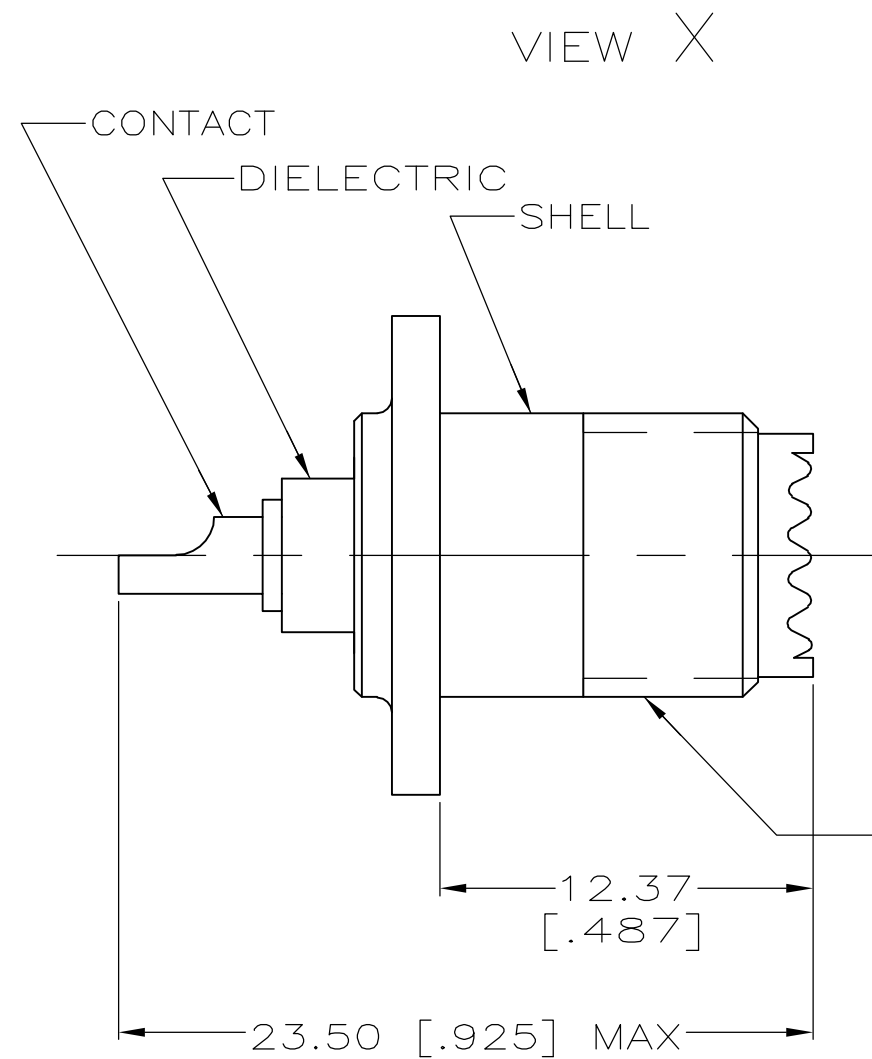
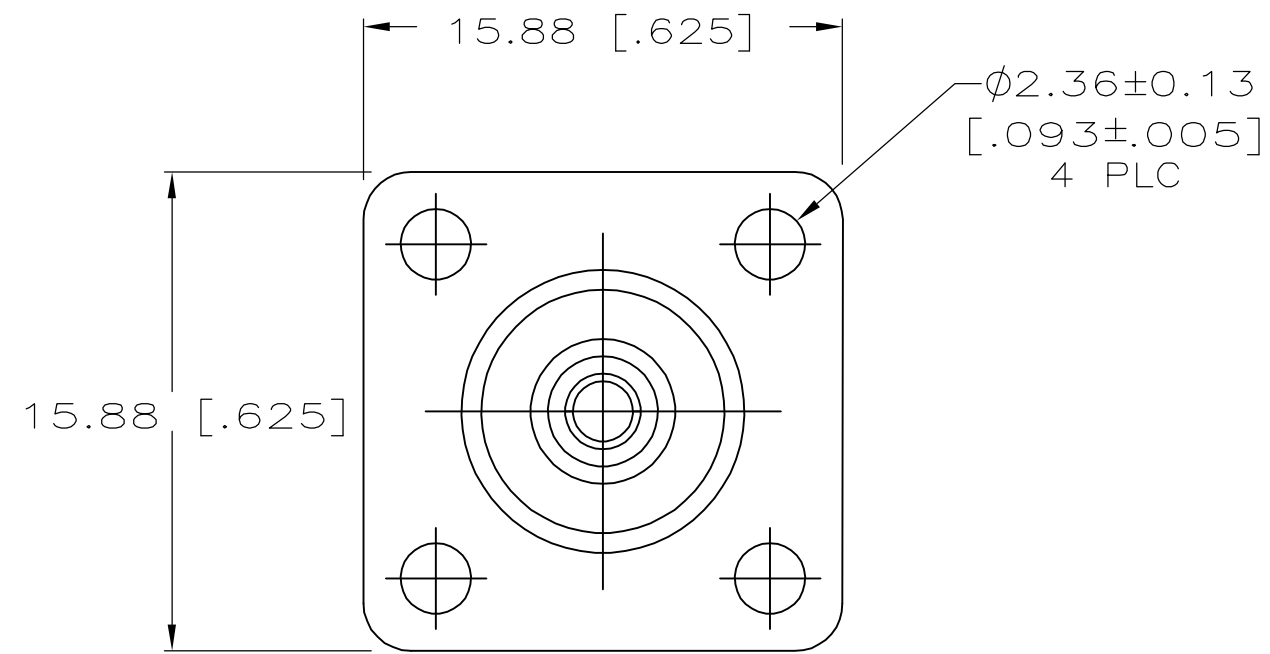


THIS DRAWING IS UNPUBLISHED. RELEASED FOR PUBLICATION  
 © COPYRIGHT BY TYCO ELECTRONICS CORPORATION. ALL RIGHTS RESERVED.

LOC	DIST	REVISIONS			
P	LTR	DESCRIPTION	DATE	DWN	APVD
AJ	16	A	REVISED PER EC 0514-0150-05	09NOV2005	REH GM

- ① ZINC PER QQ-Z-363
- ② PTFE PER MIL-P-19468
- ③ PHOS BRONZE PER QQ-B-750
- ④ POLYMETHYLPENTENE GENERAL PURPOSE
- ⑤ BRASS PER QQ-B-626
- ⑥ TIN PL PER ASTM-B-545, 3.81 μm [.000150] MIN THK
- ⑦ TIN PL PER ASTM B 545, 2.54 μm [.000100] MIN THK
- ⑧ NICKEL PL PER QQ-N-290, 3.81 μm [.000150] MIN THK
- ⑨ TIN PL PER ASTM B 545, 2.54 μm [.000100] MIN THK (POST PLATED)



RECOMMENDED PANEL CUTOUT

VIEW	SHELL	DIELECTRIC	CONTACT	PART NO
Y	① ⑧	④	③ ⑨	5226601-3
X	① ⑧	②	⑤ ⑥	5226601-1

THIS DRAWING IS A CONTROLLED DOCUMENT.		DWN J. ALCORTA - DOCK 25APR2005	Tyco Electronics Corporation Harrisburg, PA 17105-3608	
DIMENSIONS: mm [INCHES]	TOLERANCES UNLESS OTHERWISE SPECIFIED:	CHK J. HAVENER 25APR2005	NAME - RECEPTACLE, PANEL, MINIATURE UHF	
	0 PLC ± -	APVD G. MICHAEL 25APR2005	SIZE	RESTRICTED TO
	1 PLC ± -	PRODUCT SPEC	A2	-
MATERIAL SEE TABLE	FINISH SEE TABLE	APPLICATION SPEC	CAGE CODE	DRAWING NO
		-	00779	C=5226601
CUSTOMER DRAWING		WEIGHT	SCALE	SHEET
		-	4:1	1 of 1
			REV	A